



CRIME DETECTION NIGHT PATROLLING ROBOT

Shankar Babu j
Department of CSE
SMIT, Chennai, Tamil Nadu, India

Seenu vasan v
Department of CSE
SMIT, Chennai, Tamil Nadu, India

Abstract— These days Safety is the greatest worry in numerous pieces of the world. There is as yet a dread in alone territories for ladies just as men. So here we propose a security watching robot utilizing Raspberry PI. The framework utilizes cameras and mics mounted on mechanical vehicle for verifying any premises. The mechanical vehicle moves at specific way and is outfitted with camera and sound sensors. It utilizes a predefined line to pursue its way while watching. It stops at specific indicates and moves next focuses if sound is distinguished. The framework utilizes IR based way following framework for watching relegated territory. It screens every zone to distinguish any issue utilizing blend of two HD cameras. It can screen sound in the premises. Robot hears Any solid after zone is very and it begins moving towards the sound on its predefined way. It at that point filters the territory utilizing its camera to recognize any human countenances identified. It catches and begins transmitting the pictures of the circumstance promptly to the IOT site. Here we use IOT gecko for accepting transmitted pictures and showing them to client with ready sounds. In this manner we set forward a completely self-sufficient security robot that works indefatigably and watches huge zones without anyone else to verify the office.

Keywords—*IOT gecko, Face detection, Collision avoidance, Line following.*

I. INTRODUCTION

Customary biodiversity overview strategies include the distinguishing proof and logging of species, by master's circumstance dependent on what they see and hear at areas of intrigue. This suggests a few inconveniences like the immense measure of time and cash to get steady outcomes over an extensive stretch and a wide geological separation, absence of dependability because of human mistake. Disconnected gadgets require intermittent gathering of information, which causes additional work and points of confinement versatility in remote territories. Current WSN arrangements do exclude in situ observing and bring about power utilization, which hinders application in off lattice areas of key environmental intrigue. Albeit different WSN plans have been created to

expand data transfer capacity proficiency. A minimal effort answer for a sound recorder with locally available sound handling, implanted in a remote sensor organize dependent on a ZigBee convention. The created sound recorder can be utilized in a few diverse use cases for which no savvy, versatile biodiversity checking arrangement as of now exists, for example, to screen pollinating bugs, or to survey the state of tropical woodlands by serving vocal creatures. These utilization cases more often than not require a programming interface to plan the annual times and change repeat according to application necessities and hardware goals. As a couple of districts are difficult to get to, the outcomes are sent by means of a remote interface to the server, with the goal that no manual information accumulation is required. Moreover, it is significant to broaden the battery life by a vitality productive utilization of the segments. A quick Fourier change (FFT) to speak to the sound flag in parallel to the account spares memory and time and empowers the framework to proficiently produce and send acoustic records to the server utilizing a work organize. A proof of idea of a cost effective acoustic sensor organize comprising of two hubs (recorders) and one server is likewise exhibited and surveyed for biodiversity observing.

Posture

The pictures of a face differ because of the relative.

Camera

Face present (frontal, 45 degree, profile, topsy turvy), and some facial highlights, for example, an eye or the nose may turn out to be mostly or completely blocked.

Nearness or nonattendance of basic parts

Facial highlights, for example, whiskers, mustaches, and glasses might possibly be available and there is a lot of inconstancy among these parts including shape, shading, and size.

Outward appearance

The presences of appearances are specifically influenced by an individual's outward appearance.

Impediment

Countenances might be somewhat blocked by different articles. In a picture with a gathering of individuals, a few appearances may somewhat impede different countenances.

Picture introduction

Face pictures straightforwardly fluctuate for various pivots about the camera's optical hub. . Imaging conditions. At the point when the picture is shaped, factors, for example, lighting (spectra, source conveyance and power) and camera attributes (sensor reaction, focal points) influence the presence of a face. In this paper, we center on

- The Robot, which moves in a predefined way.
- The Robot Stalls when a Strange Sounds like Screaming, Dog yelping, Metallic commotions, Glass breaking and so on by utilizing Microphone.
- The Robot will distinguish any human nearness by utilizing two HD cameras.
- The Robot will transmitted Image alongside current area to web customer.

II. RELATED WORK

A. Security System

The circuit is structured around microcontroller ATMEGA 328P. The Micro Electro Mechanical frameworks sensor(MEMS) is utilized to detect any mishappening with ladies as indicated by the remarkable development of body. In the event that regardless MEMS sensor can't detect the mishappening, at that point the switch in the watch can be squeezed physically to show any mishappening. When any mishappening is distinguished by the sensor the equivalent is demonstrated to controller[2].

B. Tracking System

GSM and GPS based vehicle following framework is right now utilized. This framework comprises of GPS module connected to a catch in the vehicle. If there should arise an occurrence of crisis, the change appended to the GPS can be squeezed. At the point when any issue happens the worker going in the vehicle presses the change appended to the GPS. GSM module appended to this GPS and change is utilized to send the message to an uncommon group of the association. Despite the fact that this framework is by all accounts proficient, now and again there are a few downsides in light of the fact that the drivers may not be trustworthy[2].

GPS



Fig 1:Diagram of Gps (G702-001UB)

- C. The framework tracks the area data from the GPS and readies a content SMS containing the present area data and send SMS through GSM modem to the police control room and trouble message to the pre modified portable number. Utilizing the data provided by this framework, the area utilizing GPS and can be followed through Google maps. In Speech circuit (ISD1820PY) the segment utilized for discourse circuit is ISD1820PY. The required sentence or an expression can be recorded [2]. There are three catches to be specific REC, PLAYE, PLAYL. The REC catch is utilized as an info catch since it is utilized to record the required sentence or an expression. The required information sentence is recorded with the assistance of MIC when the REC catch is empowered. In the event that the PLAYE catch is squeezed, at that point the recorded sentence is constantly played. At the point when the PLAYL is squeezed the sentence is heard just up to the season of squeezing the catch since it doesn't distinguish the finish of the sentence. The voltage supply is given from the microcontroller. Software Design Principles

Amid the setup of a hub, some low-level arrangements are important to execute, explicitly the setting of the time and the design of the XBee module. The XBee modules should be arranged to convey in a similar system, empower the rest mode and modify the power. Arrangements and directions can without much of a stretch be executed at the underlying setup with direct access to the modules and utilizing a graphical UI or at a later stage utilizing remote directions. After the setup of the gadget, the circle capacity will be interminable called. Each time an alert is activated and the startProcess() work is called. Inside the capacity, four stages are executed: Firstly the account of the information, at that point the investigation, trailed by the ACI count. The last advance is the send capacity of the determined esteem. For testing purposes, there is the alternative to store the recorded sound information on the SD

card for further examination. Generally just the determined FFT spectrogram is put away on the SD card and a message with the ACI esteem is produced to send it to the server. After the fruitful transmission of the determined acoustic record, the gadget will be set to rest mode until the following caution is expected. Inside this execution the spectrogram exhibit is put away on the SD card and is perused line by line for the ACI computation[1].

Another probability is to figure the ACI esteem amid the ongoing age of the spectrogram. In this later case it would not be important to spare the spectrogram at all and this would improve the framework execution. A reference for the ACI esteem executed in Python and keeps running on a Raspberry Pi.

D. Acoustic Signal Processing

Customary biodiversity studies done by specialists species distinguished as the time and area of their appearance logged. The serious research of files for the use of biodiversity evaluation has been doing over the most recent 30 years and is a correlative technique for biodiversity contemplates. The fundamental type of utilizing the innovation is to record information, i.e., sound documents in this paper. Crude sound documents create tremendous. Volumes of information, which should be gathered and physically handled with relating programming instruments. The subsequent stage is to process and channel the information specifically on hubs in the field, which offers the chance to send just the outcome. Notwithstanding the transmission time, this technique will likewise quicken the total information accumulation and investigation process. Diverse procedures center around various types of sound examination: one methodology is to utilize machine figuring out how to endeavor to perceive explicit species calls, anyway in tropical regions where species are not all known, this is unpredictable, and even in mild zones with less species, detachment of person calls from a more extensive acoustic scene is non-insignificant and has not however be dependably accomplished in the wild. An option is to study the whole acoustic network inside the more extensive acoustic condition or soundscape, and utilize acoustic files which mean to give intermediaries to progressively broad biodiversity measurements, for example, species assorted variety of bounty .

E. Alternative Acoustic Recording Solutions

Business answers for biodiversity appraisal dependent on sound account are accessible available. The Solo System is a guidance of proposed parts, which must be purchased, collected and arranged with a gave working framework. The usefulness confined to the chronicle of sounds, which will be put away on the SD card.

As the working framework is an open source record, it is totally adjustable and can be reached out with further functionalities like a remote interface. In any case, locally available handling for sound records dependent on a FFT spectrogram would not be practical.

III. ARCHITECTURE

The task plans to counteract lawfulness against Crime wellbeing during the evening in the general public and to give some assistance for the police who watches throughout the night. It help to make fast move to set up law and equity and to find the interesting sound and screen the zones and implying to close by watching vehicle.

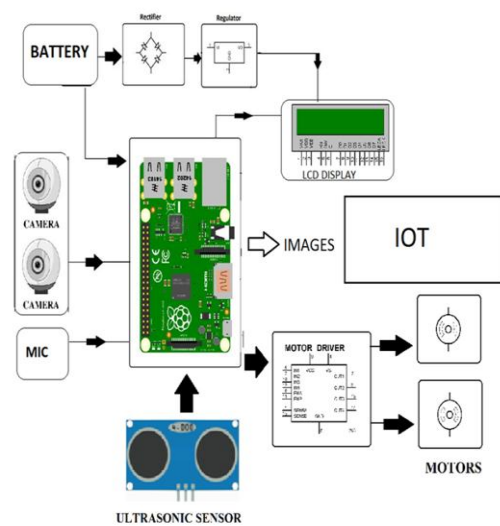


Fig 2 Overall Architecture

In the above Fig 2, the framework utilizes IR based way following framework for watching doled out zone. It screens every zone to identify any issue utilizing blend of two HD cameras. It can screen sound in the premises. Robot hears any solid after territory is very and it begins moving towards the sound on its predefined way. It at that point checks the territory utilizing its camera to identify any human countenances is recognized. It catches and begins transmitting the pictures of the circumstance quickly to the client by IOT mosquito.

Each device can be individually configured to a user-defined recording schedule and executes onboard processing tasks, which prevents the need to save the audio files. Only the calculated acoustic indices are sent to the server in a multihop fashion, so that no data collection or external processing are required. Each XBee module automatically searches the

fastest path to the server and relays the message. The powerful core in combination with a very efficient energy consumption, high flexibility in terms of enabling/disabling modules, and the low material cost, justify the decision to use a Teensy version 3.6 for the system development. A 3V cell coin battery is added to retain the date and time while the power is off (e.g. when the main battery is empty). To connect the nodes and cover a wide recording area, a mesh network with routers in between the nodes is a very efficient solution. Furthermore, the transmission power and the cost of the module is elegant for the decision. The XBee module has been chosen as the wireless interface, because it meets the requirements related to the range and the supported network topology, and is well supported with a dedicated library for the Teensy development board.

IV. METHODOLOGIES AND MODULES

In the remote sensor organize, the battery limit of the conveyed sensors is normally restricted. Vitality the executives is a standout amongst the most vital plan issues for the vitality hungry sensors, which altogether influences the general execution of the system. Accordingly, a suitable component is expected to choose when to perform edge processing locally on an edge hub or when to execute calculation offloading from the edge hub to the remote focal server.

A. Line following module

A line adherent robot is a robot which pursues a specific way constrained by an input system. In Fig 3, the line following robot is one of oneself working robots. That recognizes and follows a line drawn on the zone. The line is shown by white line on a square surface or square line on a white surface. This framework must be sense by the line. This application is relies on the sensors. Here we are utilizing two sensors for way identification reason. That is nearness sensor and IR sensor. The closeness sensor utilized for way identification and IR sensor utilized for snag discovery. These sensors mounted at front end of the robot.

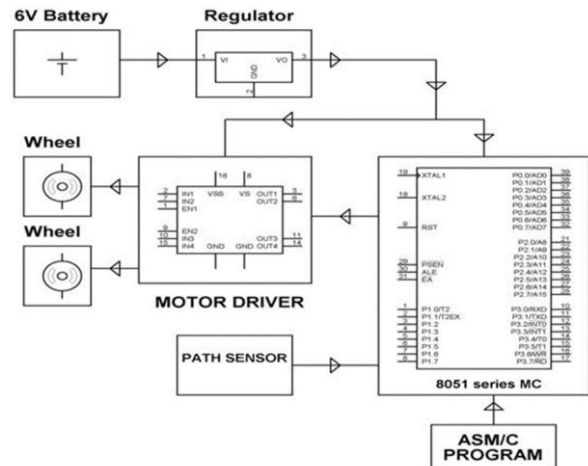


Fig 3 Line following module

B. Collision avoidance module

At the point when the Robot is fueled on and begins running, Raspberry Pi estimates the separations of items, before it, by utilizing Ultrasonic Sensor Module and stores in a variable. In fig 4 Then RPi contrasts this esteem and predefined qualities and take choices as needs be to move the Robot Left, Right, Forward, or in reverse. we have chosen 15cm separation for taking any choice by Raspberry Pi. at whatever point Raspberry Pi gets not exactly the 15cm separation from any article then Raspberry Pi stops the robot and moves it back and afterward turns it left or right. This should be possible in a shabby outer sound module.

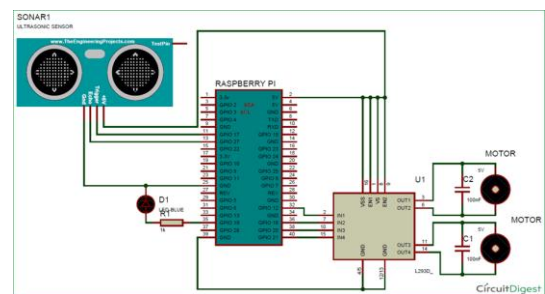


Fig 4 Collision avoidance module

C. Sound processing module

Once in a while it is interesting to play out some activity by applauding, crying or whistling. To do this, an amplifier needs to been utilized that catches the sound. Ordinarily it isn't important to digitize the flag by an ADC in fig 5 and 6 and investigate it by the Raspberry Pi, which can be troublesome due to the quick change in the flag reaction. It is adequate to make a

low/high voltage change when the flag is more noteworthy than a specific dimension (or limit).

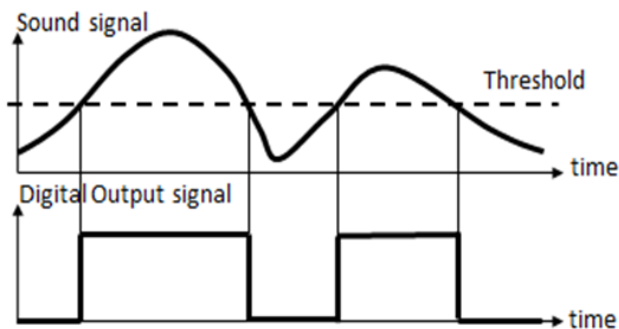


Fig 5 Sound Amplitude

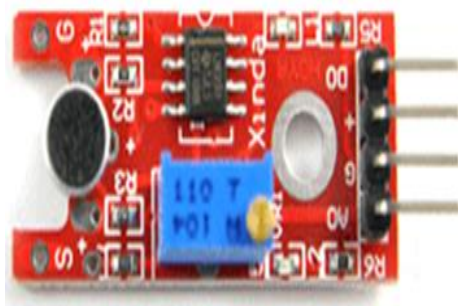


Fig 6 Sound module

D. Human detection module

Differentiated to the format coordinating techniques where layouts are predefined by specialists, the "formats" in appearance-based strategies are found out from precedents in pictures in Fig 7. All in all, appearance-put together strategies depend with respect to methods from factual investigation and machine figuring out how to locate the significant attributes of face and no face pictures. The scholarly attributes are as dissemination models or discriminant capacities that are subsequently utilized for face recognition. In the mean time, dimensionality decrease is generally done for calculation proficiency and discovery adequacy.

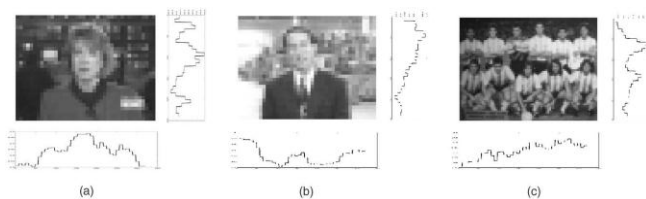


Fig 7 Human Reorganization

E. Communication module

The web Server is in the cloud and Raspberry Pi can run a Small web customer. Raspberry Pi can run something Light weight for it to almost certainly speak with a web Server on the cloud. It utilizes MQTT MQ Telemetry Transport Protocol. Utilizing numerous sound sensors, the adequacy dimension of the sound event will be recognized. By contrasting different adequacy level from the sound sensors the course of the acoustic will be anticipated. Mechanical wheel frame will be modified by the pursue of the course of unsettling influence. For the XBee S2C module a range of up to 1200m is defined in the specification with the usage of different antenna The module in this study uses an implemented wire antenna connected directly to the PCB with a gain of 1.5;1.8 dbi. There are further options with other integrated antenna or connectors for external antenna to improve the antenna gain and the maximum distance between two nodes. Using the integrated antenna, two different power configurations are set to measure the maximum distance where a reliable communication between three nodes should be maintained.

V. CONCLUSION

Thus we conclude that, the system uses cameras and mics mounted on mechanical vehicle for checking any premises. The mechanical vehicle moves at explicit way and is furnished with camera and sound sensors. It uses a predefined line to seek after its was thy while viewing. It stops at explicit demonstrates and moves next concentrations if sound is recognized. The system uses IR based way following structure for viewing consigned an area. It screens each zone to recognize any issue using mix of two HD cameras. It can screen sound in the premises. Robot hears Any strong after zone is very and it starts moving towards the sound on its predefined way. It by then channels the domain using its camera to perceive any human faces recognized. It gets and starts transmitting the photos of the situation instantly to the IOT site. Here we use IOT gecko for tolerating transmitted pictures and appearing at customer with prepared sounds. Thusly we put forth a totally independent security robot that works relentlessly and watches gigantic zones without any other individual to check the workplace.

VI. REFERENCES

- [1] . Marwah M. Almasri, student member, IEEE, Abrar M. I. Lee and K. Lee, "The internet of things (iot): applications, investments, and challenges for enterprises," *Business Horizons*, vol. 58, no. 4, pp. 431;440, 2015.
- [2] F. Zhao, L. J. Guibas, and L. Guibas, *Wireless Sensor Networks: an Information Processing Approach*. Morgan Kaufmann, 2004.



- [3] W. Dargie and C. Poellabauer, *Fundamentals of Wireless Sensor Networks: Theory and Practice*. John Wiley & Sons, 2010.
- [4] A. Cerpa and D. Estrin, "Ascent: Adaptive self-configuring sensor networks topologies," in *Proc. INFOCOM 21st Annu. Joint Conf. IEEE Computer and Communications Societies*. vol. 3. 2002, pp. 1278;1287.
- [5] K. L. Mills, "A brief survey of self-organization in wireless sensor networks," *Wireless Communications and Mobile Computing*, vol. 7, no.7, pp. 823;834, 2007.
- [6] G. J. Pottie and W. J. Kaiser, "Wireless integrated network sensors," *Communications of the ACM*, vol. 43, no. 5, pp. 51;58, 2000.
- [7] J. Porter, P. Arzberger, H.-W. Braun, P. Bryant, S. Gage, T. Hansen, P. Hanson, C.-C. Lin, F.-P. Lin, T. Kratz, et al., "Wireless sensor networks. Alajian, Student member, IEEE, Khaled M. Elleithy, Senior member, "Trajectory planning and collision Avoidance Algorithm for mobile robotic system" IEEE computer science and engineering department.
- [8] . Ming-Hsuan Yang, Member, IEEE, David J. Kriegman, Senior Member, IEEE, and Narendra Ahuja, Fellow, IEEE "Detecting Faces in Images: A Survey"
- [9] Sriranjini R "GPS and GSM Based Self Defense System for Crime Safety" Electrical and Electronics Engineering, PA College of Engineering and Technology, Tamil Nadu, India 2Department of Electrical Engineering and Information Technology, RWTH Aachen University, Germany
- [10] . Zhengguo Sheng, Saskia Pfersich, Alice Eldridge, Jianshan Zhou, Daxin Tian, and Victor C. M. Leung "Wireless Acoustic Sensor Networks and Edge Computing for Rapid Acoustic Monitoring"
- [11] B. M. Napolitano, "Integrating biophony into biodiversity measurement and assessment," *Ecoacoustics: The Ecological Role of Sounds*, pp. 169, 2017.
- [12] Z. Sheng, S. Yang, Y. Yu, A. V. Vasilakos, J. A. Mccann, and K. K.
- [13] Leung, "A survey on the ietf protocol suite for the internet of things: standards, challenges, and opportunities," *IEEE Wireless Communications*, vol. 20, no. 6, pp. 91;98, Dec. 2013.