

DESIGN SINGLE AND DUAL BAND STOP FILTER BY USING SPURLINE STRUCTURE

Zainab Alfrgani
Microelectronics Research
Laboratories, Department of
Electrical and Computer
Engineering
Bright star University

Hassan Aldeeb
Microelectronics Research
Laboratories, Department of
Electrical and Computer
Engineering
Misurata University
University of Colorado,
Colorado Spring, USA

Thottam Kalkur
Microelectronics Research
Laboratories, Department of
Electrical and Computer
Engineering
University of Colorado,
Colorado Spring, USA

ABSTRACT: In this paper, we are proposing a design of a spur line single and dual band bandstop filter. We designed, fabricated and characterized spurline filters in two notch frequencies, one at 3.25GHz and the other at 5.25GHz. The designed filters simulated using Keysight Technologies ADS software and fabricated on FR-4 substrates shows S_{11} of 1dB and S_{21} of 20 dB at notch frequency 3.165GHz and S_{11} of 2dB and S_{21} of 21dB at notch frequency 4.98 GHz. These two spurlines were combined to obtain dual band band stop filter resulting in S_{11} of 2dB and S_{21} of 25dB at notch frequency 3.038 GHz and S_{11} of 3db and S_{21} of 26dB at notch frequency 5.2GHz.

Keywords— BandStop, Filters, Dual BandStop, ADS, Spurline.

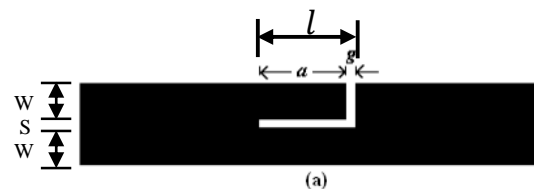
I. INTRODUCTION

Band stop filters are used to filter out unwanted signals at certain frequencies in radio frequency communication systems (Saxena et al., 2009) Different approaches are proposed to design band stop filters. In the first approach, a resonator is placed in parallel with main transmission line to tap energy from the main transmission line at resonance frequency (Huang et al. and Aldeeb et al., 2009,2013). In the second approach, open stubs are used to tap energy from the transmission line (Young et al. and Haiwen et al., 2008,2007). In the third approach defected ground structures are used but they are not recommended for practical applications because of packaging issues (Somdotta et al., 2013).

Spurline filters are becoming important for the design of band stop filters because of their compactness and reduced radiation loss and relatively simple structure. Dual band bandstop filters are becoming important in reducing spurious signals in multiband systems. Variety of configurations have been proposed to implement spur-line based dual band bandstop filters. Wang et. al. (2012) proposed a dual spurlines structure to implement a tunable dual band bandstop filter. Parmar et al. (2015) fabricated a dual band filter with spurline with double spurline filter at S band. In this paper we are proposing a simple split spurline structure to implement a single and dual band bandstop filter.

II. THEORY AND DESIGN EQUATION OF BAND STOP FILTER BY USING SPURLINE

Figure (1a) shows the basic structure of a spurline (Nguyen et al., 1983). which works as a bandstop notch filter. Length (l) of the spur line sections is constituted of two parts, length a and gap g , $l = a + g$ as shown in Fig1(a). Fig.1b shows the equivalent circuit of the spurline (Bates, 1977).



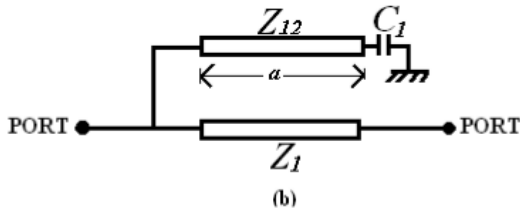


Figure 1. (a) Spurline schematic. (b) Equivalent circuit of spur line.

The proposed bandstop filter, where the coupled line section were also designed according to the physical length l , have two impedances: an open circuit transmission line stub characteristics impedance Z_1 and a length of line of characteristic impedance Z_{12} , were given by Mandal et al. (2008).

$$Z_1 = \frac{Z_{oe}}{Z_{oo}} \left(\frac{Z_{oe} + Z_{oo}}{2} \right) \quad (1)$$

$$Z_{12} = \frac{Z_{oe} + Z_{oo}}{2}$$

Where Z_{oe} and Z_{oo} are even mode and odd mode (2) characteristic impedances respectively. a is the spurline length which represented by Bates (1977).

$$a = \frac{c}{f_0 \sqrt{K_{effo}}} - \Delta l \quad (3)$$

Where:

- C is velocity of light,
- f_0 is operating frequency center,
- K_{effo} is odd mode effective dielectric constant,
- Δl is effective length extension due to gap g ,

The length of each spurline is chosen to be $\lambda_g/4$, long in order to create odd mode excitation where λ_g is the guided wavelength of the microstrip line at the center frequency of operation. The length of spurline and the gap can be used to determine the center frequency.

The phase velocity V is given by equation (4), which decreases since the spurline improves the effective capacitance of a microstrip line by Benedek et al. (1972):

$$V = \frac{c}{\sqrt{K_{effe}}} \quad (4)$$

And from Mandal et al. (2008)

$$\Delta l = C_{odd} \times V_{po} \times Z_{oo} \quad (5)$$

From Fig.2, equivalent circuit of microstrip gap capacitance is calculated by Benedek et al. (1972):

$$C_1 = C_{even}/2 \quad (6)$$

$$C_{12} = [C_{odd} - C_1]/2 \quad (7)$$

$$\therefore C_1 + 2C_{12} = C_{odd} \approx C_{end} \quad (8)$$

The length of the spur line is affected by the end capacitance, which means controlling the spur line resonators' operation.

In this study, two filters with only one stop band were designed at notch frequencies 3.25 GHz, and 5.25GHz respectively were designed by using ADS Software. The filter layout was down loaded to LPKF machine and the patterns were formed on FR-4 substrate.

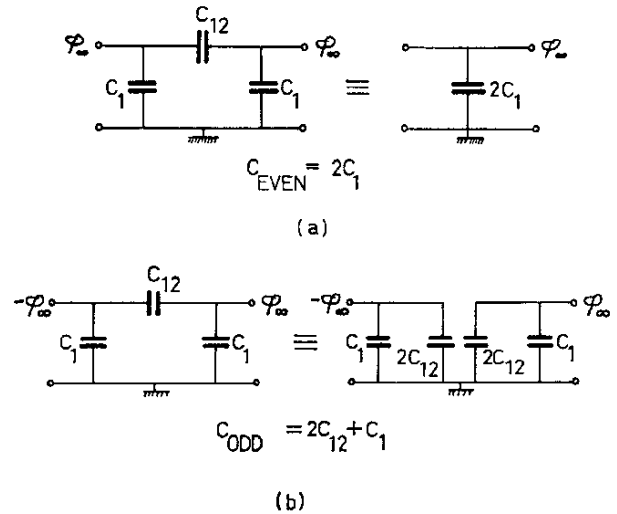


Figure 2. (a) The even mode equivalent circuit for the gap capacitance. (b) The odd equivalent circuit.

III. DESIGN OF BAND STOP FILTER

A. Design Single BSF at 3.25GHz:

The circuit designed using ADS software is shown in Fig. (3). The response of this filter can be evaluated by simulating S_{11} and S_{12} as shown in Fig. (4 a). The simulated S_{11} was less than -0.5 dB and S_{21} was -45 dB at notch frequency of 3.27 GHz. The filter layout was down loaded to LPKF rapid prototype machine to fabricate the filter on FR-4 substrate. SMA connectors were soldered to the input and output and the filters were characterized for S_{11} and S_{21} using

Agilent network analyzers. Fig. 4b shows the measured response of the filter. The measured S_{11} was about -1 dB and S_{21} was -20 dB at notch frequency 3.165GHz.

Figure 3. Single band stop filter with 3.25 GHz

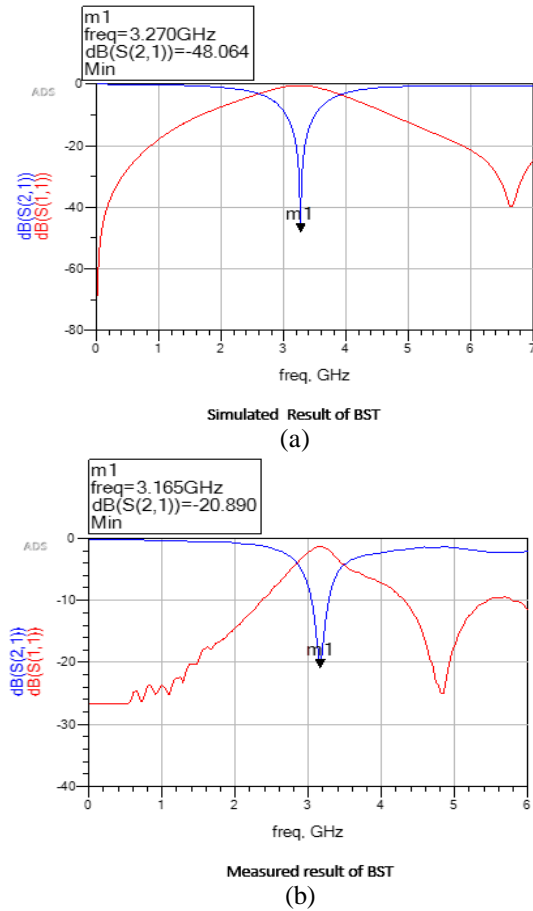


Figure 4. The simulated and the measured results for single BSF with 3.25 GHz.

B. Design BSF at 5.25GHz:

Using ADS Software, a single band bandstop filter was designed with higher notch frequency at 5.25 GHz as shown in Fig. 5. Figure 6a shows the simulated response of the filter. The variation S_{11} with frequency shows that at the notch frequency of 5.47 GHz, the S_{11} is about -0.5 dB and the S_{21} is about -53 dB. Fig. 6b shows the measured response of the filter with S_{11} at notch frequency is about -2 dB and S_{21} about -21 dB.

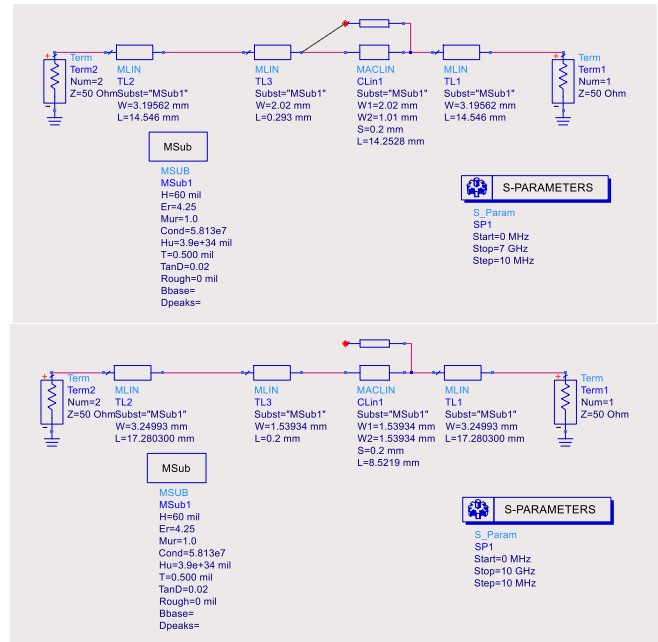
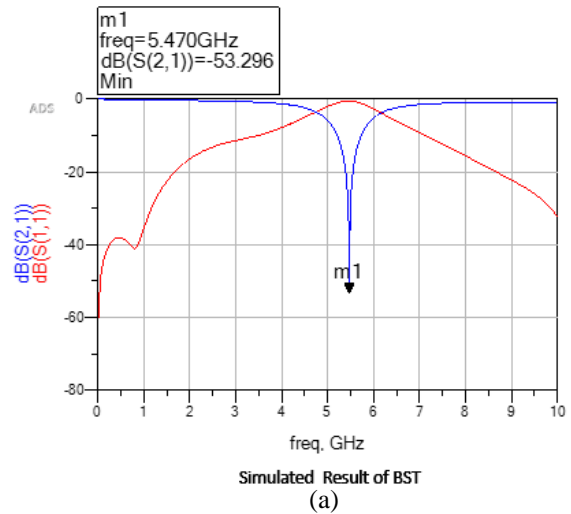


Figure 5. Single band stop filter with 5.25 GHz



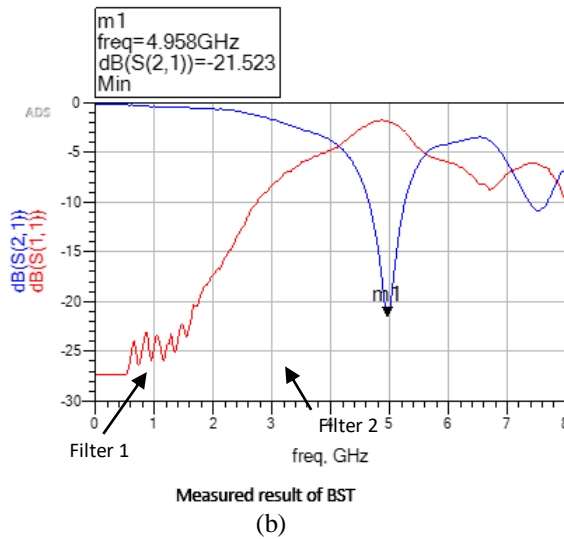


Figure 6. The simulated and the measured results for single band stop filter with 5.25 GHz.

IV. DESIGN OF DUAL BAND BSF AT 3.25GHZ AND 5.50 GHZ

Figure 7 shows the layout of the proposed dual band bandstop filter designed using ADS, where the spur lengths are calculated using equation (3).

The first spurline was designed for the first notch at the lowest frequency 3.25 GHz, and the second spurline was designed at a notch frequency of 5.48 GHz. Fig. 8 shows the simulation results of the dual band band stop filter. Variation of S_{11} with frequency shows that at the first notch frequency of 3.270 GHz, S_{11} is about -0.5dB and at the second notch frequency of 5.480 GHz, S_{11} is about 1dB. Fig. 9 shows the photograph of filter fabricated with LPKF prototyping machine. Fig 10 shows measured results for the fabricated circuit for dual band band stop filter with notch frequency at 3.048 GHz and 5.169 GHz. The measured S_{11} at the first notch frequency is about -1.5 dB and at the second notch frequency is about -2.5 dB. The measured S_{21} at the first notch frequency is -25dB and at the second notch frequency is about -26dB.

Figure 7 Dual band stop filter circuit used in ADS simulation

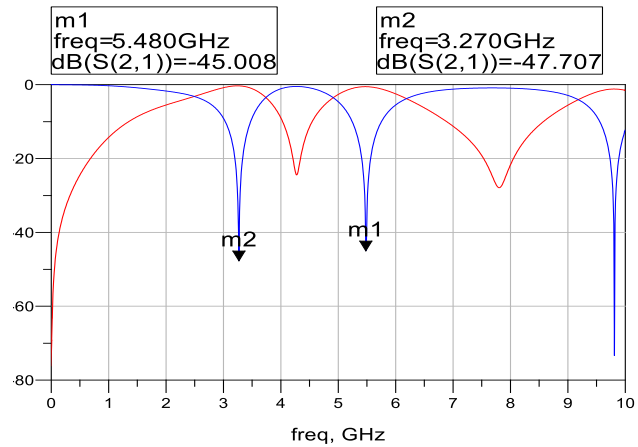


Figure 8. The simulated result by using ADS.

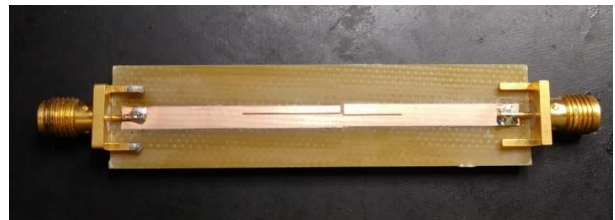


Figure 9. Prototype Circuit for Dual band stop filters at 3.25 and 5.5 GHz

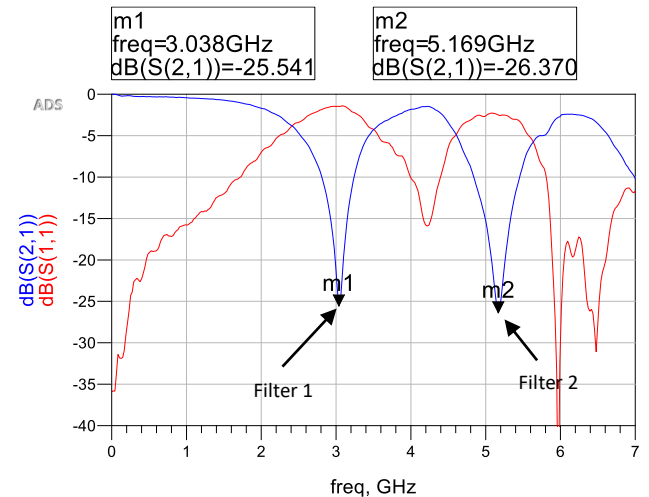
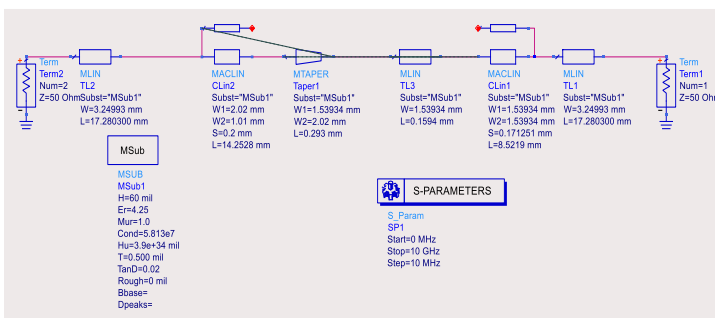


Figure 10. The measured result for DBBSF



V. CONCLUSION

In this paper, we used a simple structure to design spurline single and dual band bandstop filters.



Two single notch band stop filters at different notch frequencies were designed, simulated fabricated and characterized. Finally, these two filters were combined to fabricate spurline based dual band band stop filters. The fabricated filters notch frequencies are close to design frequency but the S_{21} at notch frequencies is higher than simulated results. This is attributed to LPKF machine tolerances.

VI. REFERENCES

- [1] S. Saxena, S. Porwal, K. Soni, P. Chhawchharia and S. K. Koul. (2009). Novel tunable bandstop filter using E-shaped dual mode resonator. 2009 IEEE International Conference on Microwaves, Communications, Antennas and Electronics Systems, (pp. 1-5).
- [2] J. -M. Huang, F. Zhu and Z. L. Deng. (2009). A Novel Design o Tunable Band-Stop Filter Using MEMS Technology. 5th International Conference on Wireless Communications, Networking and Mobile Computing, Beijing, 2009, (pp. 1-3).
- [3] Aldeeb, H., and T.S. Kalkur. (2013). Tunable Coplanar wave guide band stop filters. Integrated Ferroelectrics. Vol. 141. Issue 1, (pp. 105-111).
- [4] Young-Hoon Chun, Jia-Sheng Hong, Peng Bao, Jackson T.J., Lancaster M.J. (2008). BST varactor tuned bandstop filter with slotted ground structure. IEEE MTT-S International Microwave Symposium Digest, Atlanta, GA, USA, 2008, (pp. 1115-1118).
- [5] Haiwen Liu, Reinhard H. Knoechel and Klaus F.Schuenemann. (Oct. 2007). Miniaturized bandstop filter using meander spurline and capacitively loaded stubs. ETRI Journal, Vol.29, no.5, (pp.614-617).
- [6] Somdotta Roy Choudhury, Susanta Kr. Parui, Santanu Das. (Oct. 2013). Design of a Compact Wideband Log Periodic Spur Line Bandstop Filter. International Journal of Engineering and Advanced Technology (IJEAT) ISSN: 2249 – 8958, Volume-3, Issue-1, (pp.5-13).
- [7] Yan-Yi Wang, Feng Wei, Bei Liu, Xiao-Wei Shi. (2012). A tunable Band stop filter using spurlines. International Conference on Microwave and Millimeter Wave Technology (ICMMT), Vol.1, (pp.1-4).
- [8] C. Parmar, and MS. Z. Dobariya. (May 2015). Comparison of Microstrip Open Stub Double Spurline BandStop Filter with Double Spurline Filter at S Band. International Journal of Innovative Research in Technology (IJIRT), Vol 1, Issue 12, (pp. 1280-1288).
- [9] C. Nguyen and C. Hsieh. (1983). Millimeter Wave Printed Circuit Spurline Filters. 1983 IEEE MTT-S International Microwave Symposium Digest, Boston, MA, USA, (pp. 98-100).
- [10] R. N. Bates. (1977). Design of Microstrip Spurline Band-Stop Filters. IEE Journal on Microwaves, Optics and Acoustics, Vol. 1, (pp. 209-214).
- [11] M.K Mandal, K. Divyabramham and S. Sanyal. (Oct. 2008). Compact, Wideband Bandstop Filters with Sharp Rejection Characteristics. IEEE Microwave and Wireless Components Letters, Vol. 18, No. 10, (pp. 665-667).
- [12] P. Benedek and P. Silvester. (Nov. 1972). Equivalent capacitances for microstrip gaps and steps. IEEE Transactions on Microwave Theory and Techniques, Vol. 20, No. 11, (pp. 729-733).